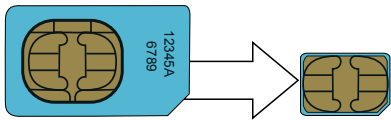
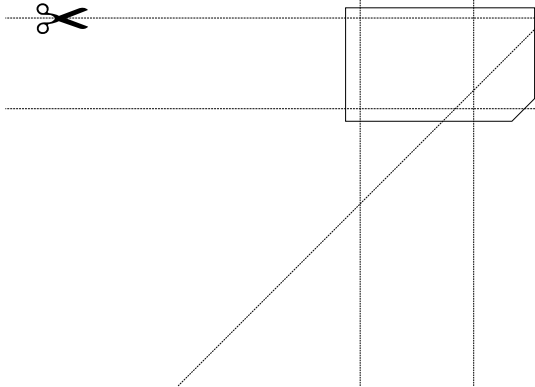
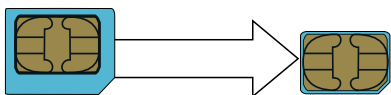
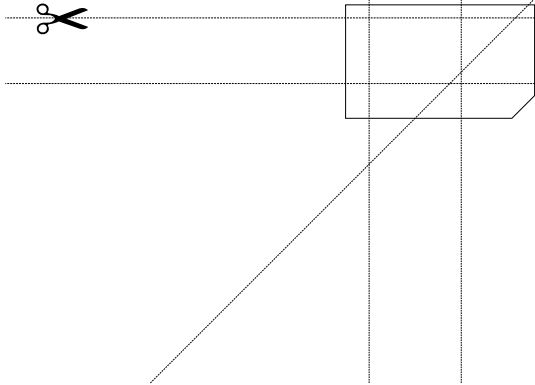


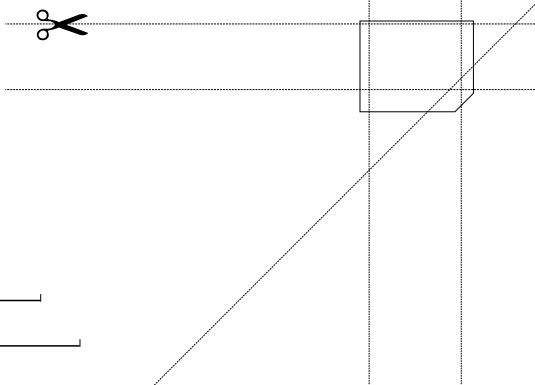
MiniSIM (2FF) to MicroSIM (3FF)



MiniSIM (2FF) to NanoSIM (4FF)



MicroSIM (3FF) to NanoSIM (4FF)

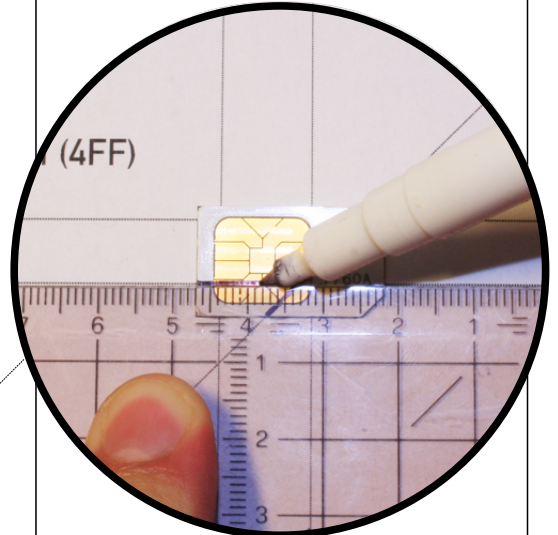


2 cm

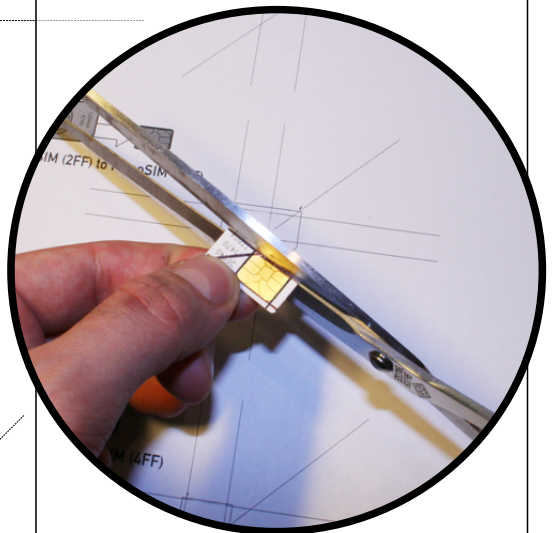
1 inch

Follow these instructions at your own risk. Cutting your SIM card may destroy it!

1. Print this page at 100% scale on a DIN A4 page.
2. Fix your SIM card with double-sided tape to this template.



3. Use a ruler and a marker to draw the cut lines onto your SIM card.



4. Cut your SIM card along the drawn lines using scissors. Cutting contacts usually does not impact functionality as the actual chip below is much smaller.

5. Round the edges by grinding them with sandpaper or a file.

The difference in thickness between NanoSIMs and previous SIM cards (90µm) corresponds to the thickness of a human hair and should therefore not make any difference in practice. Nevertheless you may slightly grind the plastic side of your SIM card. Never grind the chip side!